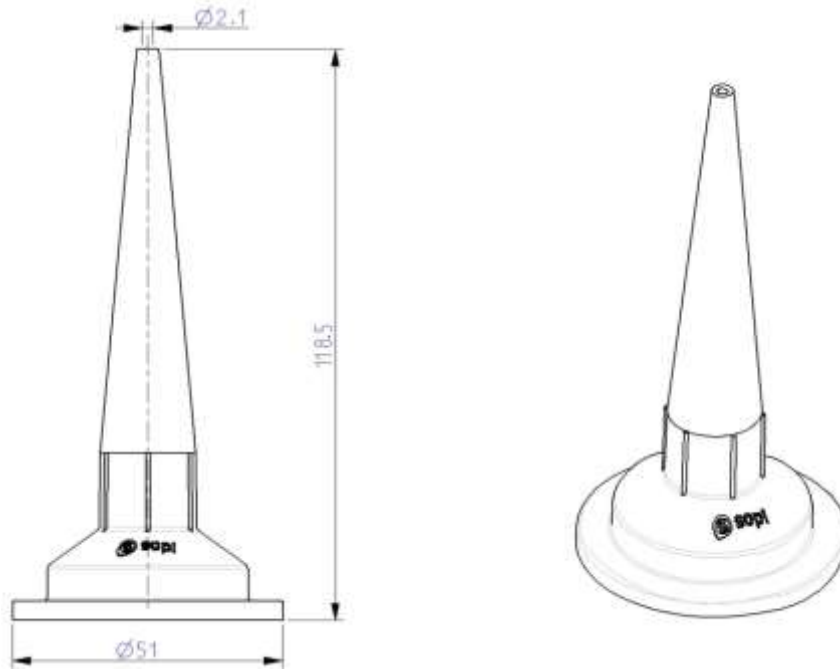


Type Foil bag nozzle

TECHNICAL SPECIFICATION

Item number:	PR0550
EAN number:	3830065622698
Item weight [g]:	6,5
Raw material:	HDPE
Type of carton:	cardboard
Packaging unit [pcs/box]	650
Outer box dimension (LxWxH) [cm]	79,5x39,7x26,5
Quantity per pallet [pcs/pall]	15.600
box [pcs/pall]	24
row [pall]	8
Pallet height [cm] (+/- 4%)	212
Pallet weight [kg] (approximately) *	133

Packaging is standard. Other packaging variations will be charged.

*deviation on weight is always possible (different material, batch, etc)

Text and Bar code - according to the customer's instructions.

Customer's instructions must be known before the order confirmation.

Storage: Products must be kept indoors for at least 24 hours at temperatures ranging from 18-20°C before being used in production process.

It is strictly forbidden to storage pallet on pallet.

For colour variations, please contact us at sales-support@sopi-closures.com

All products are in accordance with DIN 16742 or otherwise agreed.

General tolerance: DIN 16901-150